

**BIN**

Designer: SPARK

**MATERIALS**

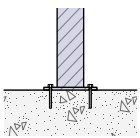
- Zinc plated mild steel
- 316 stainless steel

**FINISHES**

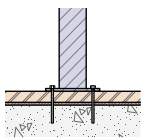
- Powdercoated body
- #4 Stainless brushed body
- #4 Stainless brushed chute

**SIZES**

- 120 / 140 Litre
- 240 Litre

**INSTALLATION**

Bolt Down



Bolt Through

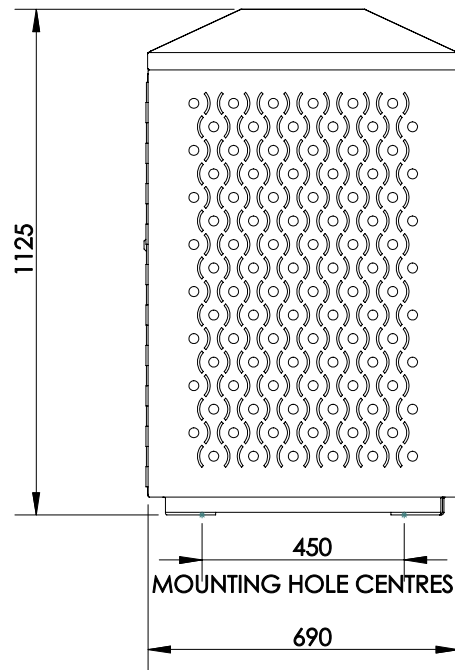
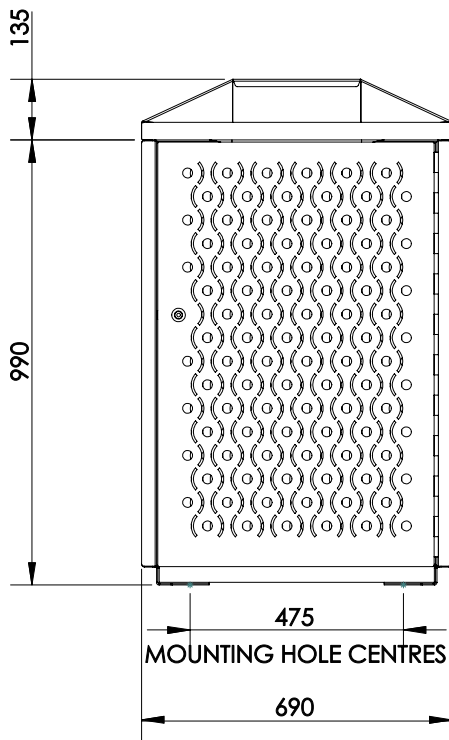
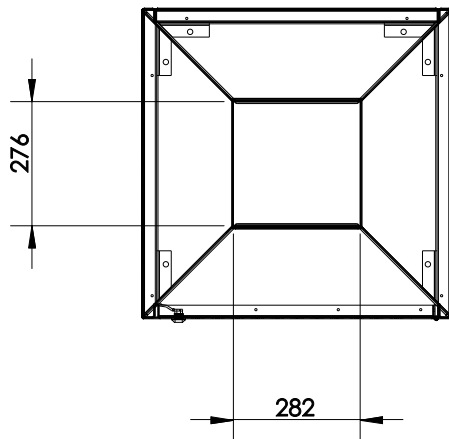
**FIXINGS**

- 12mm fixings for 14mm diameter holes

Alternative materials and finishes available on request

# INTEGRA BIN 140L

## SPECIFICATIONS



Measurements are in millimetres. Drawings are not to scale.

### PRODUCT CODE

INT001-ZIN-PC-S-140L

### BODY & FINISH

Mild Steel, Powdercoated

### CHUTE & FINISH

316 Stainless Steel, #4 Brushed

### SIZE

140L

# INTEGRA BIN 240L

## SPECIFICATIONS

---

Dimensioned Drawing coming soon

Measurements are in millimetres. Drawings are not to scale.

---

PRODUCT CODE	BODY & FINISH	CHUTE & FINISH	SIZE
INT001-ZIN-PC-S-240L	Mild Steel, Powdercoated	316 Stainless Steel, #4 Brushed	240L